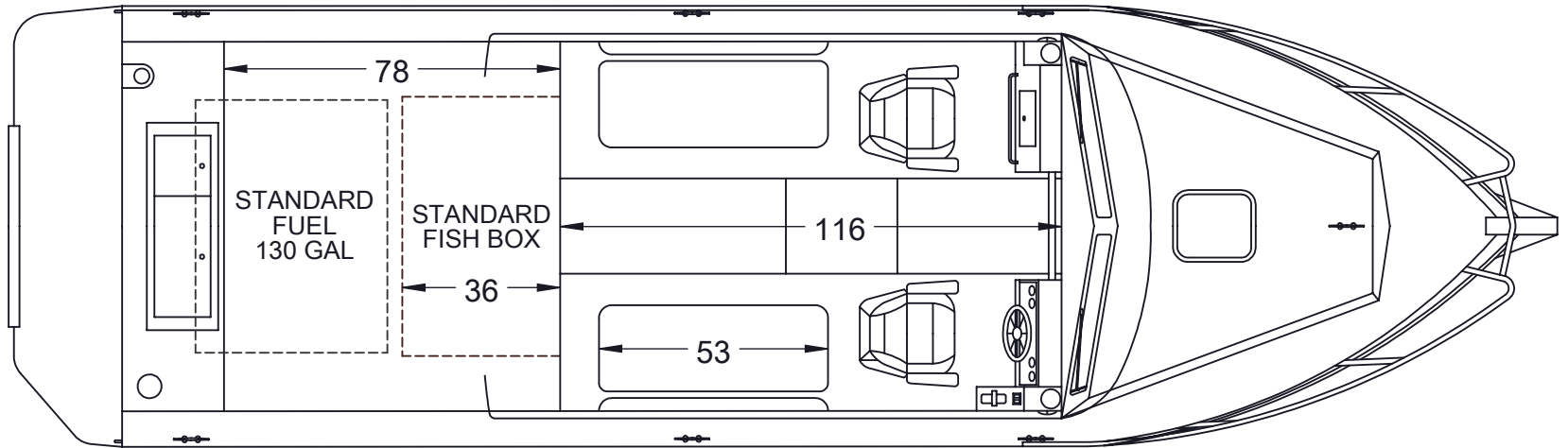


260 CUDDY KING  
116" CABIN

FLOOR PLAN  
116-1

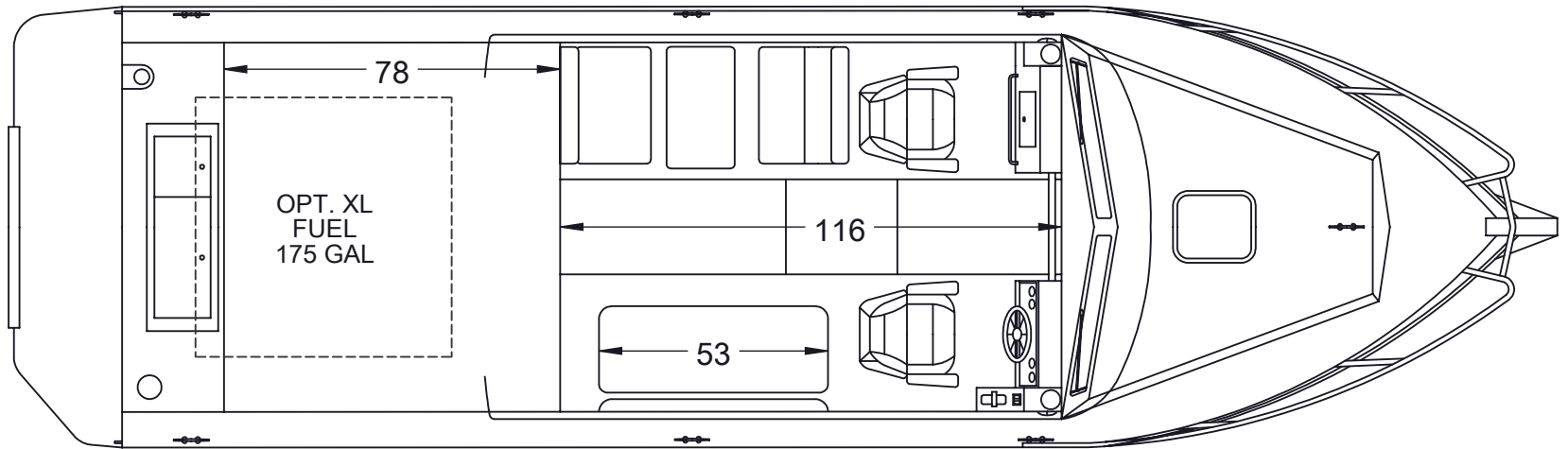
CONFIGURATION SHOWS  
STANDARD FUEL TANK  
AND STANDARD FISH BOX



260 CUDDY KING  
116" CABIN

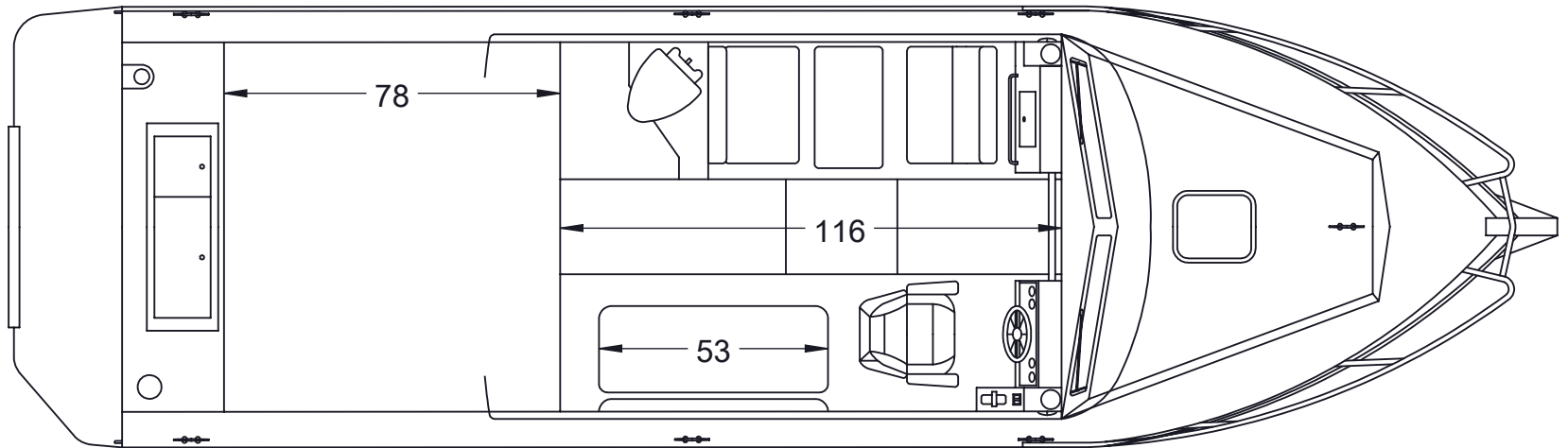
FLOOR PLAN  
116-2

CONFIGURATION SHOWS  
OPT. XL FUEL TANK

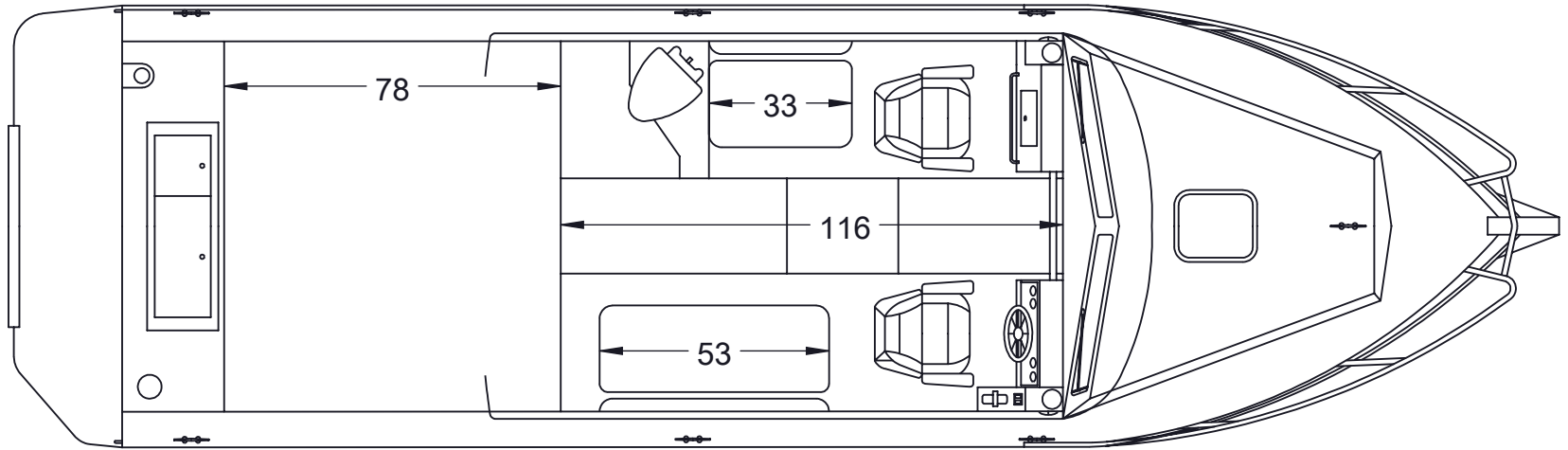


260 CUDDY KING  
116" CABIN

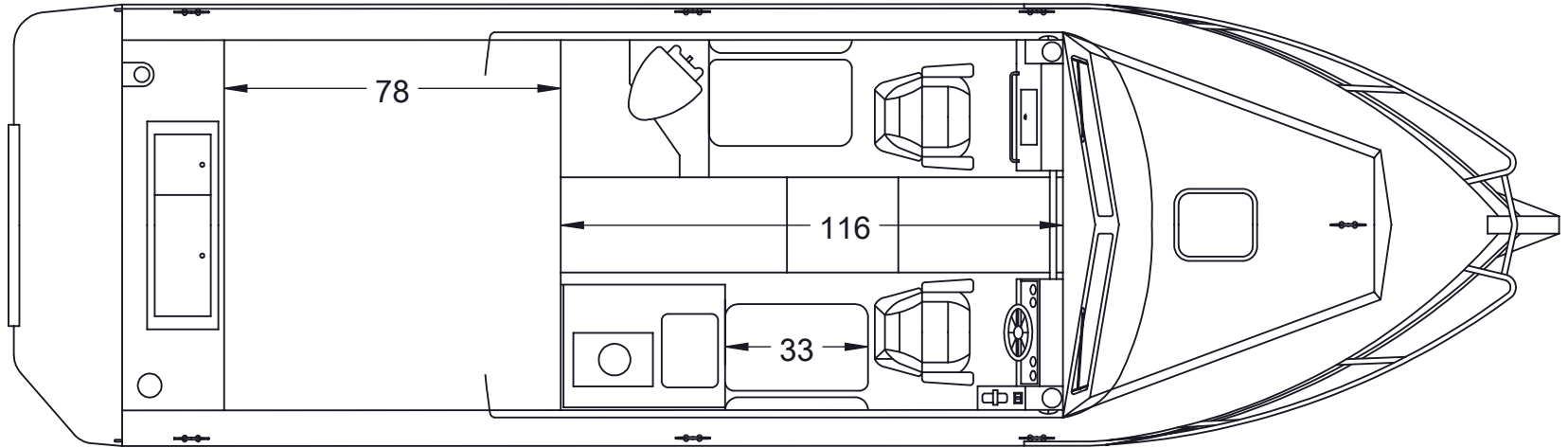
FLOOR PLAN  
116-3



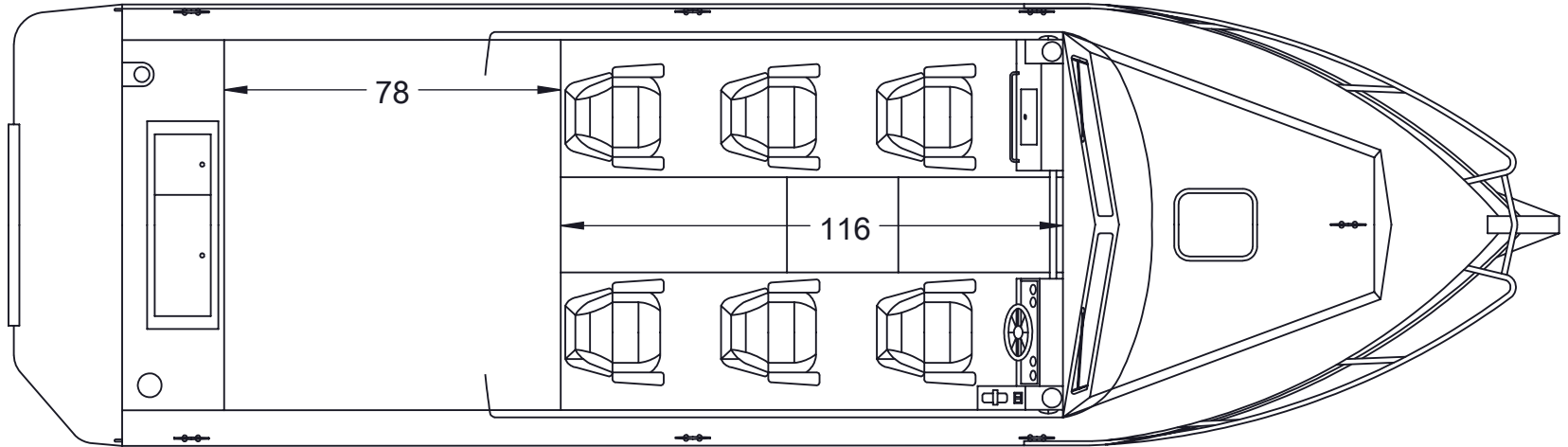
260 CUDDY KING  
116" CABIN  
FLOOR PLAN  
116-4



260 CUDDY KING  
116" CABIN  
FLOOR PLAN  
116-5

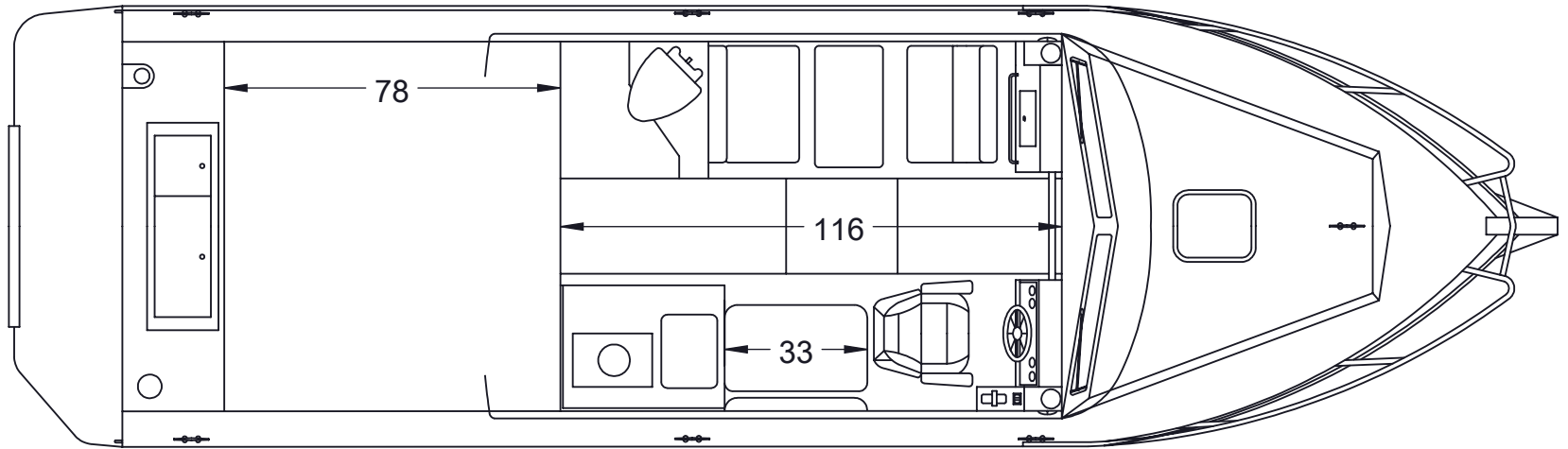


260 CUDDY KING  
116" CABIN  
FLOOR PLAN  
116-6



260 CUDDY KING  
116" CABIN

FLOOR PLAN  
116-7



260 CUDDY KING  
116" CABIN

FLOOR PLAN  
116-8

